



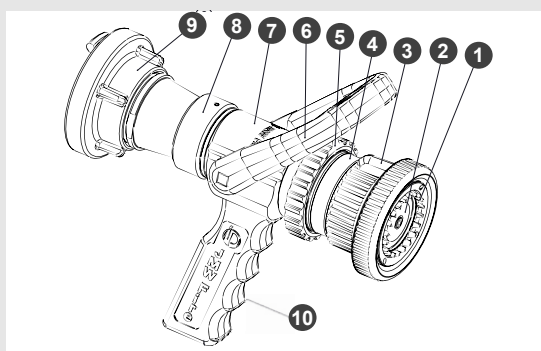
## Turbomatic - DIN EN 15182

Hollow jet nozzle with adjustable spray pattern and selectable constant flow rate for effective and safe firefighting.

### General Data

Manufacturer	JMW Fire d.o.o.
Model	Turbomatic (TM)
Types	TM 100; 180; 235; 400; 500; 750; 1000
Standard	DIN EN 15182-2 Functional Category 3
Material	Powder coated and anodized aluminium alloy + brass

1	Turbulator	6	Shut off lever
2	Disk	7	Housing
3	Rubber Protection Ring	8	Swivel inlet
4	Jet selector with pointer	9	Coupling
5	Flow rate selector with pointer	10	Removable handle



### Technical Data

Types	TM 100	TM 180	TM 235	TM 400	TM 500	TM 750	TM 1000
Inlets	Storz, BSP, BI, DSP, NH and other coupling systems available!						
Inlet Storz	D-25	C-52	C-52	C-52	B-75	B-75	B-75
Dimensions LxWxH (mm)	220x245x100	220x245x100	280x258x110	280 x 253 x 110	280x258x110	396x275x115	396x275x115
Weight (kg)	1,45	1,61	2,2	2,2	2,2	3,5	3,5
Nominal Pressure	16	16	16	16	16	16	16
Turbo Wheel	Yes	Yes	Yes	Yes	Yes	No	No
Spray Angle	0-150°	0-150°	0-110°	1-110°	0-110°	0-120°	0-120°
Flow Rate (l/min at 6 bar)	40-60-80-100	40-80-130-180	80-130-180-235	100-200-300-400	100-250-350-500	360-475-550-750	400-600-800-1000
Spray Pattern	Solid cone	Solid cone	Solid cone	Solid cone	Solid cone	Solid cone	Solid cone
ID No. (Storz)	1012863	1012841	1012786	1012715	1012753	1012782	1012855

Subject to technical modifications and errors - Illustrations for reference only.

