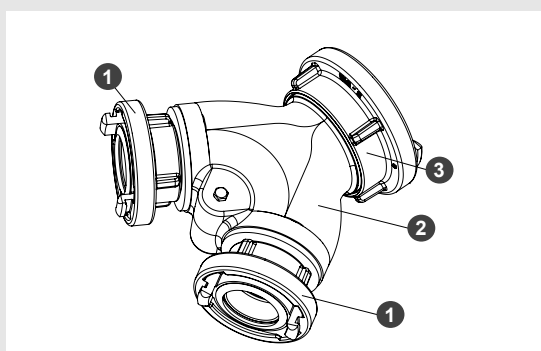




## Siameses - DIN EN 17407



Siamese collecting head for collecting multiple hose lines with non-return valves.

### General Data

Manufacturer	JMW Fire d.o.o.
Model	Clappered
Types	B/CC; A/BB; A/BBB; A/BBBB
Standard	DIN EN 17407
Material	Powder coated aluminium alloy

1	Inlet coupling
2	Housing
3	Outlet coupling

### Technical Data

Types (Size)	B/CC	A/BB	A/BBB	A/BBBB
Inlet/Outlet	Storz, BSP, BI, DSP, NH and other coupling systems available!			
Inlet Storz	2x C-52	2x B-75	3x B-75	4x B-75
Outlet Storz	B-75	110-A	110-A	110-A
Dimensions LxWxH (mm)	230x250x126	250x290x182	355x364x200	395x470x200
Weight (kg)	2,3	3,8	8,1	9,5
ID No. (Storz)	1014501	1014502	1014533	1014549

Subject to technical modifications and errors - Illustrations for reference only.

