



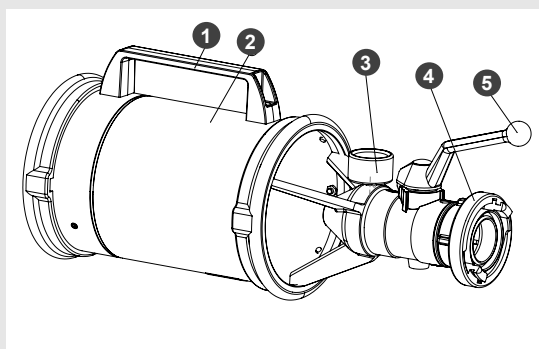
Medium Foam Nozzles (M) - DIN EN 16712

Medium foam nozzles for generating and applying foam to fight liquid and solid fires; produce stable foam with high coverage and long throw distance.

General Data

Manufacturer	JMW Fire d.o.o.
Model	M with / without ball valve
Types	M2, M4, M8
Standard	DIN EN 16712-3
Material	Aluminium alloy (valve) + stainless steel (tube)

1	Housing handle
2	Housing
3	Pressure gauge
4	Shut-off lever
5	Inlet coupling



Technical Data

Model	Foam Nozzle M with ball valve			Foam Nozzle M without ball valve		
	M2	M4	M8	M2	M4	M8
Inlet	Storz, BSP, BI, DSP, NH and other coupling systems available!					
Inlet Storz	C-52	B-75	B-75	C-52	B-75	B-75
Flow rate at 5 bar (l/min)	200	400	800	200	400	800
Dimensions LxWxH (mm)	555x194x232	603x265x302	718x304x350	430x194x232	476x265x302	593x304x350
Weight (kg)	4,2	5,2	6,5	3,5	4,5	5,8
ID No. (Storz)	1013033	1013041	1013043	1013034	1013042	1013044

Subject to technical modifications and errors - Illustrations for reference only.

