



## Landing/Fire Valves - with integrated inlet swivel

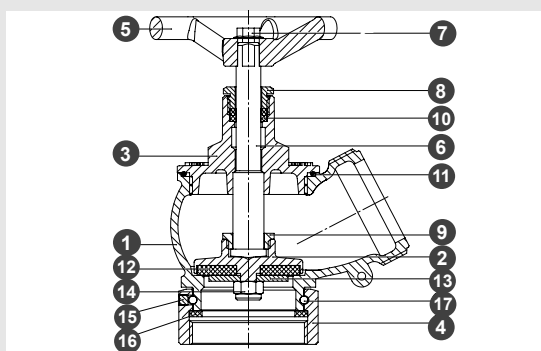
Landing valves with 30° outlet and integrated inlet swivel connect fire hoses to fire mains, providing controlled water flow.

### General Data

Manufacturer	JMW Fire d.o.o.
Model	Integrated inlet swivel
Standard	DIN 14461-3
Material	Valve (brass); coupling (aluminium alloy or brass)

1	Body
2	Obtuator
3	Bonnet
4	Swivel
5	Handwheel
6	Stem
7	Screw
8	Packing nut
9	Obtuator nut

10	Packing
11	O-ring
12	Sealing
13	Washer
14	Autolock nut
15	Dowel pin
16	Gasket
17	Bearing



### Technical Data

Model	Integrated inlet swivel
Outlet	Storz, BSP, BI, DSP, NH and other coupling systems available!
Outlet Storz (aluminum)	C-52
Inlet BSP Female	G 2" (swivel)
Dimensions LxWxH (mm)	153x100x164/185,6 *
Weight (kg)	1,94 [brass] **
ID No. (Storz)	1015530 [brass] **

\* Hub open.

\*\* Values in [square brackets] refer to version with brass coupling.

Subject to technical modifications and errors - Illustrations for reference only.

