



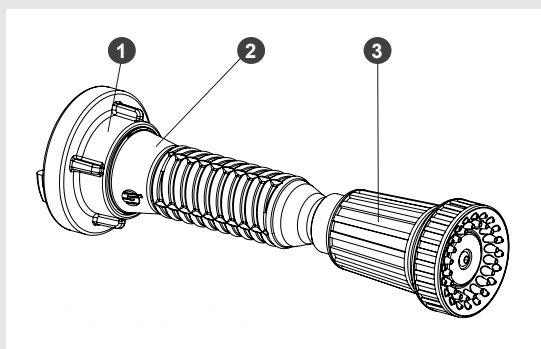
HS Nozzles - DIN EN 15182

HS nozzles are handheld branchpipes for firefighting operations. The control head allows stepless adjustment from shut-off to solid or spray jet with variable angle.

General Data

Manufacturer	JMW Fire d.o.o.
Model	Naval and Wildfire; with/ without handle
Types	HS 7; HS 12; HS 16; HS 20
Standard	DIN EN 15182-2
Material	HS7: Aluminium alloy anodized / HS12-20: Brass + high-resistance plastic

1	Coupling
2	Housing
3	Regulating head



Technical Data

Types	HS 7	HS 12	HS 16	HS 20
Inlets	Storz, BSP, BI, DSP, NH and other coupling systems available!			
Inlet Storz	D-25	C-52	C-52	C-52
Material	Aluminium anodized	Brass + high-resistance plastic	Brass + high-resistance plastic	Brass + high-resistance plastic
Dimensions LxWxH (mm)	250x60x60	320x98x98	320x98x98	320x98x98
Weight (kg)	0,46	1,1	1,1	1,1
Flow Rate /min at 6 bar	80 full jet; 80 spray jet	230 full jet; 460 spray jet	330 full jet; 470 spray jet	380 full jet; 470 spray jet
ID No. w/o. handle (Storz) *	1013201	1013350	1013375	1013385

* All models available with handle on request.

Subject to technical modifications and errors - Illustrations for reference only.

