



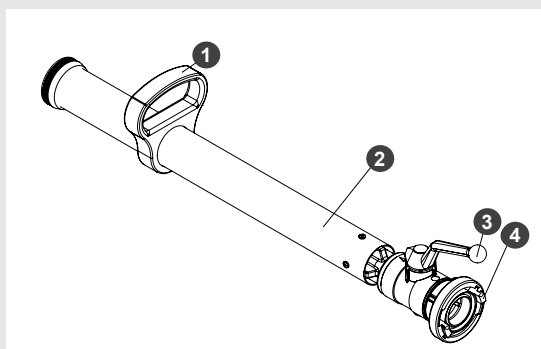
## Heavy Foam Nozzles (S) - DIN EN 16712

Heavy foam nozzle for rapid and targeted application of heavy foam; ensures consistent foam generation and long throw range during firefighting operations.

### General Data

Manufacturer	JMW Fire d.o.o.
Model	S with / without ball valve
Types	S2, S4, S8
Standard	DIN EN 16712-3
Material	Aluminium alloy (valve) + stainless steel (tube)

1	Handle
2	Housing
3	Shut-off lever
4	Inlet coupling



### Technical Data

Model	Foam Nozzle S with ball valve			Foam Nozzle S without ball valve		
	S2	S4	S8	S2	S4	S8
Inlet	Storz, BSP, BI, DSP, NH and other coupling systems available!					
Inlet Storz	C-52	B-75	B-75	C-52	B-75	B-75
Flow rate at 5 bar (l/min)	200	400	800	200	400	800
Dimensions LxWxH(mm)	728x140x160	828x140x175	951x140x175	625x140x160	725x140x160	848x140x175
Weight (kg)	2,6	3,3	4,3	1,9	2,6	3,6
ID No. (Storz)	1012905	1013121	1012486	1012481	1012482	1012483

Subject to technical modifications and errors - Illustrations for reference only.

