



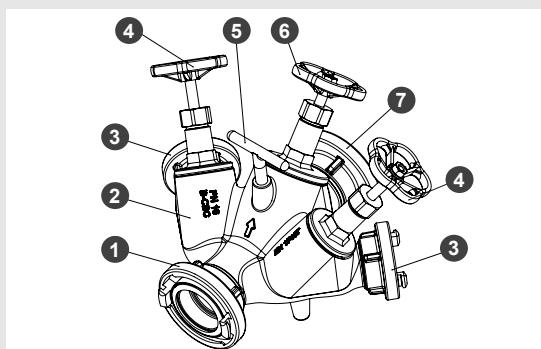
Dividers with Screw Down Valves - DIN EN 17407

Dividers with screw down valve shut-off for distributing extinguishing water to several hose lines, each outlet individually closable.

General Data

Manufacturer	JMW Fire d.o.o.
Model	Screw down valves
Types	B/CC; B/CBC
Standard	DIN EN 17407
Material	Powder coated aluminium alloy

1	Inlet coupling B	6	Valve for B outlet
2	Housing	7	Outlet coupling B
3	Outlet coupling C		
4	Valve for C outlet		
5	Handle		



Technical Data

Types (Size)	B/CC	B/CBC
Inlet/Outlet	Storz, BSP, BI, DSP, NH and other coupling systems available!	
Inlet Storz	B-75	B-75
Outlet Storz	2x C-52	2x C-52 + B-75
Dimensions LxWxH (mm)	325x253x284	340x424x270
Weight (kg)	3,8	5,8
ID No. (Storz)	1015001	1015087

Subject to technical modifications and errors - Illustrations for reference only.

