



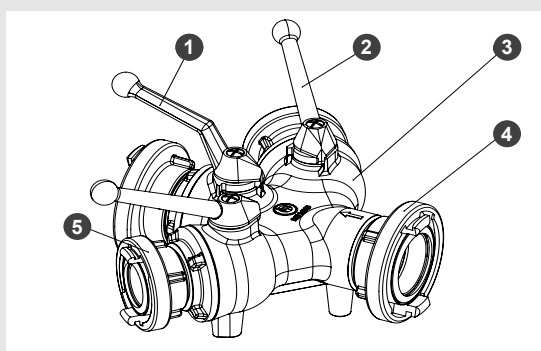
## Dividers with Ball Valves - DIN EN 17407

Dividers with ball-valve shut-off for distributing extinguishing water to several hose lines, each outlet individually closable.

### General Data

Manufacturer	JMW Fire d.o.o.
Model	Ball valves
Types	B/CC; B/CBC
Standard	DIN EN 17407
Material	Powder coated aluminium alloy

1	Lever curved
2	Lever
3	Housing
4	Coupling 75
5	Coupling 52



### Technical Data

Types (Size)	B/CC	B/CBC
Inlet/Outlet	Storz, BSP, BI, DSP, NH and other coupling systems available!	
Inlet Storz	B-75	B-75
Outlet Storz	2x C-52	2x C-52 + B-75
Dimensions LxWxH (mm)	267x260x224	327x389x224
Weight (kg)	3,8	5,7
ID No. (Storz)	1015002	1015007

Subject to technical modifications and errors - Illustrations for reference only.

