



Adjustable Foam Nozzles (S/M) - DIN EN 16712

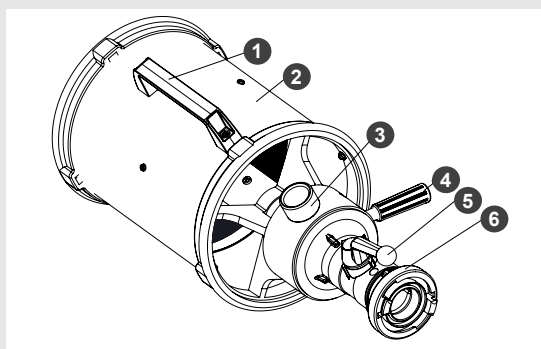
Adjustable foam nozzles for rapid and targeted application of medium and heavy foam; manually adjustable for different expansion rates and flow rates.

General Data

Manufacturer	JMW Fire d.o.o.
Model	Adj. Foam Nozzle S/M with ball valve
Types	S2/M2; S4/M4
Standard	DIN EN 16712-3
Material	Aluminium alloy (valve) + stainless steel (tube)

1	Housing handle
2	Housing
3	Pressure gauge
4	Foam adjustment handle
5	Shut-off lever

6	Inlet coupling
---	----------------



Technical Data

Model	Adj. Foam Nozzle S/M with ball valve	
Types	S2/M2	S4/M4
Inlet	Storz, BSP, BI, DSP, NH and other coupling systems available!	
Inlet Storz	C-52	B-75
Flow rate at 5 bar (l/min)	200	400
Dimensions LxWxH (mm)	610x280x230	665x310x300
Weight (kg)	5,0	6,4
ID No. (Storz)	1013048	1013054

Subject to technical modifications and errors - Illustrations for reference only.

